

1

2

3

4

D

D

C

C

B

B

A

A

Connectors and Indicators r2d
Connectors and Indicators r2d.sch



CAN BUS r2d
CAN BUS r2d.sch



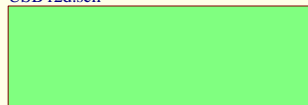
Power r2d
Power r2d.sch



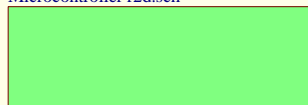
Surge Protection r2d
Surge Protection r2d.sch



USB r2d
USB r2d.sch



Microcontroller r2d
Microcontroller r2d.sch



ODB2 Interface r2d
ODB2 Interface r2d.sch



Reference Designs ARE PROVIDED "AS IS" AND "WITH ALL FAULTS". RechargeCar DISCLAIMS ALL OTHER WARRANTIES, EXPRESS OR IMPLIED, REGARDING PRODUCTS, INCLUDING BUT NOT LIMITED TO, ANY IMPLIED WARRANTIES OF MERCHANTABILITY OR FITNESS FOR A PARTICULAR PURPOSE

RechargeCar Inc. may make changes to specifications and product descriptions at any time, without notice. The Customer must not rely on the absence or characteristics of any features or instructions marked "reserved" or "undefined." Recharge Car Inc. reserves these for future definition and shall have no responsibility whatsoever for conflicts or incompatibilities arising from future changes to them. The product information on the Web Site or Materials is subject to change without notice. Do not finalize a design with this information.

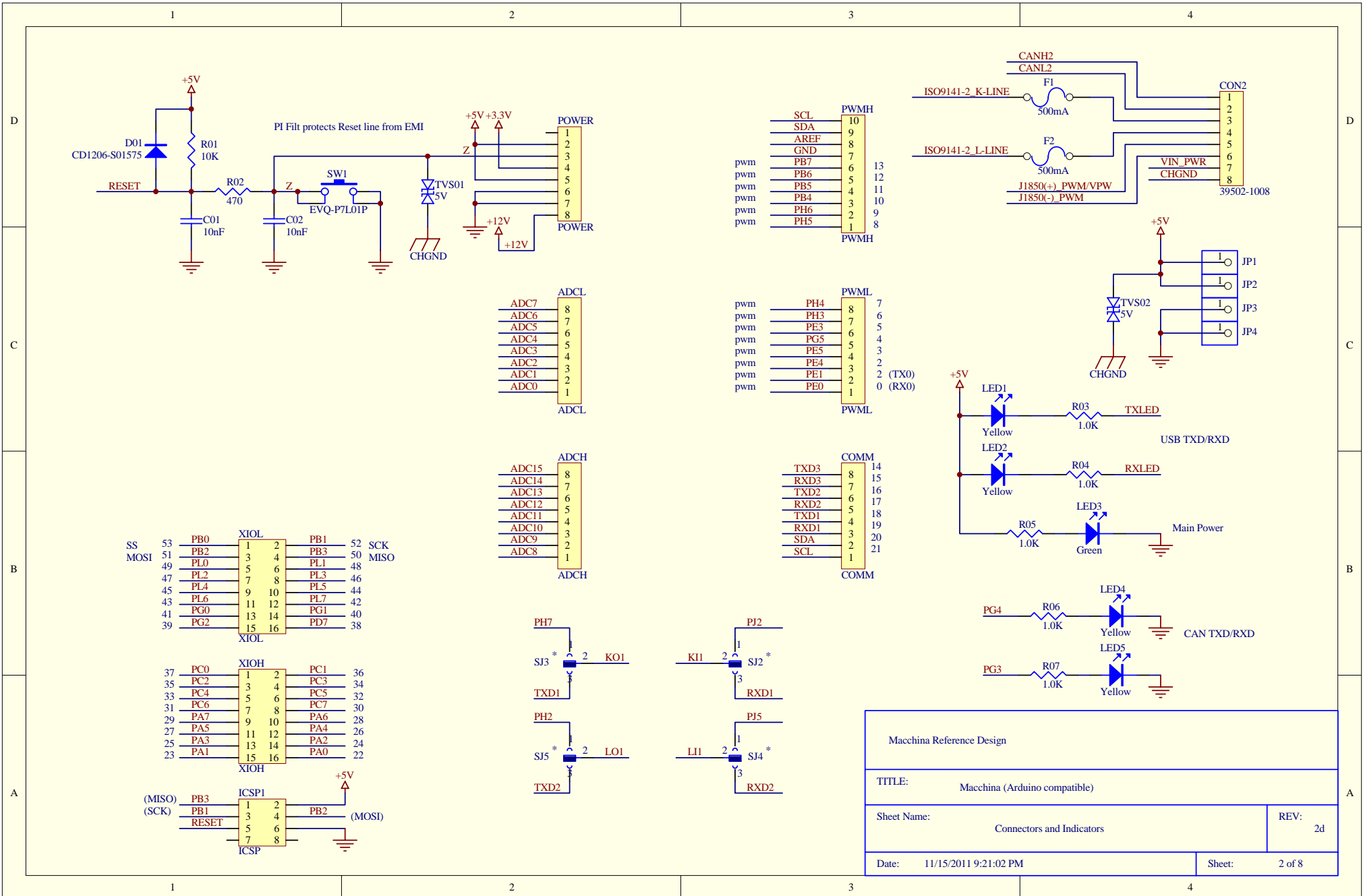
Macchina Reference Design	
TITLE: Macchina (Arduino compatible)	
Sheet Name: Overall	REV: 2d
Date: 11/15/2011 9:21:02 PM	Sheet: 1 of 8

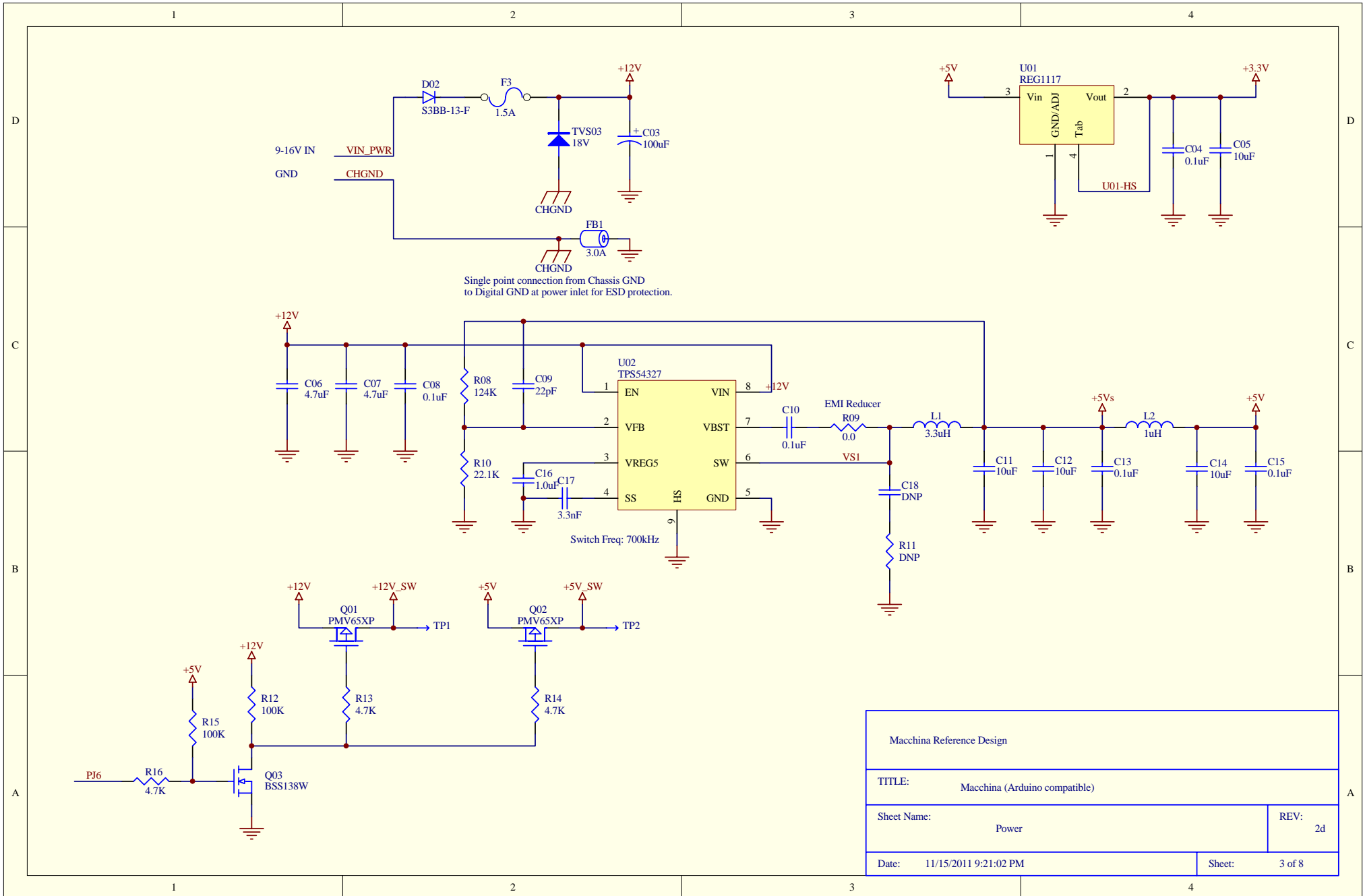
1

2

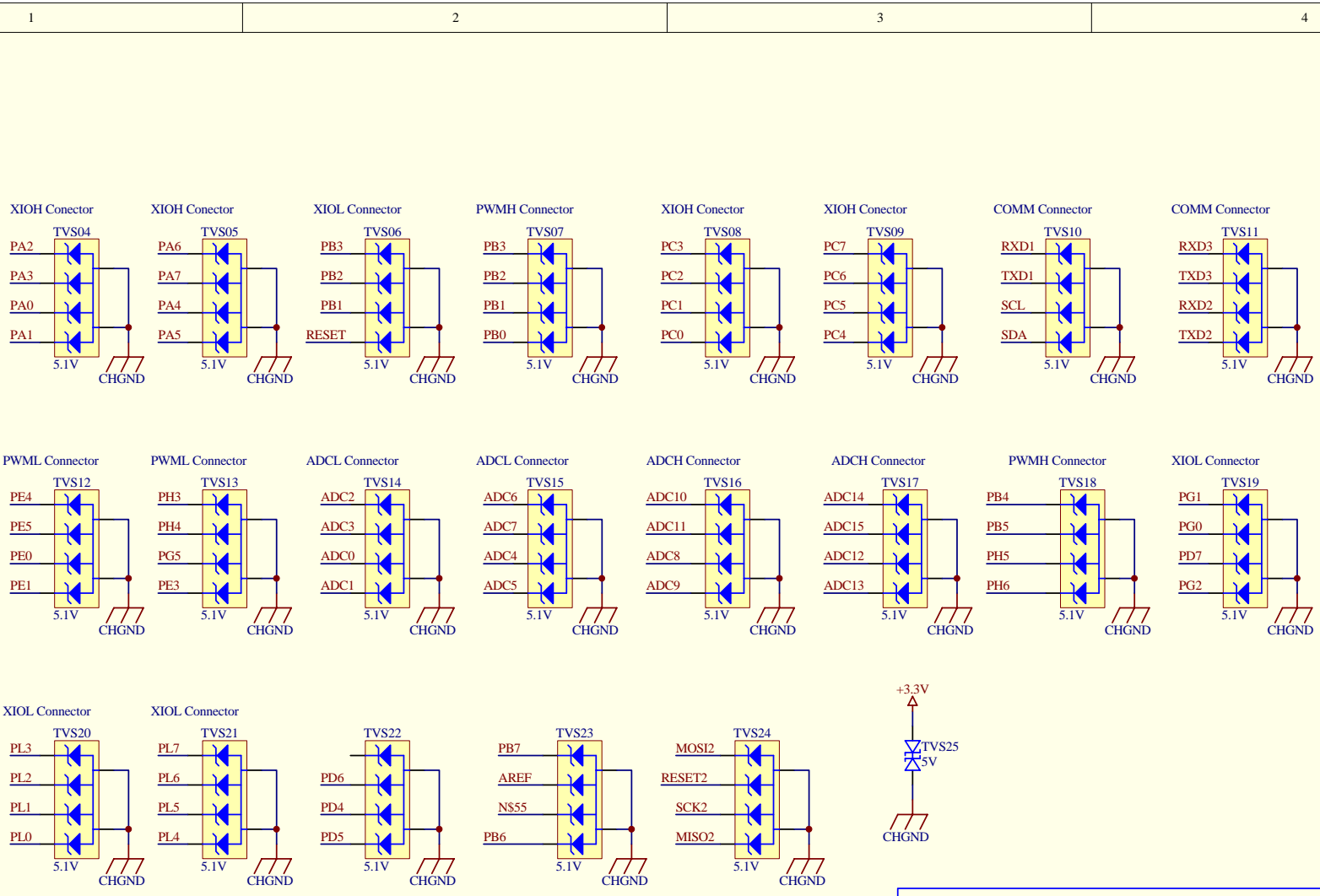
3

4

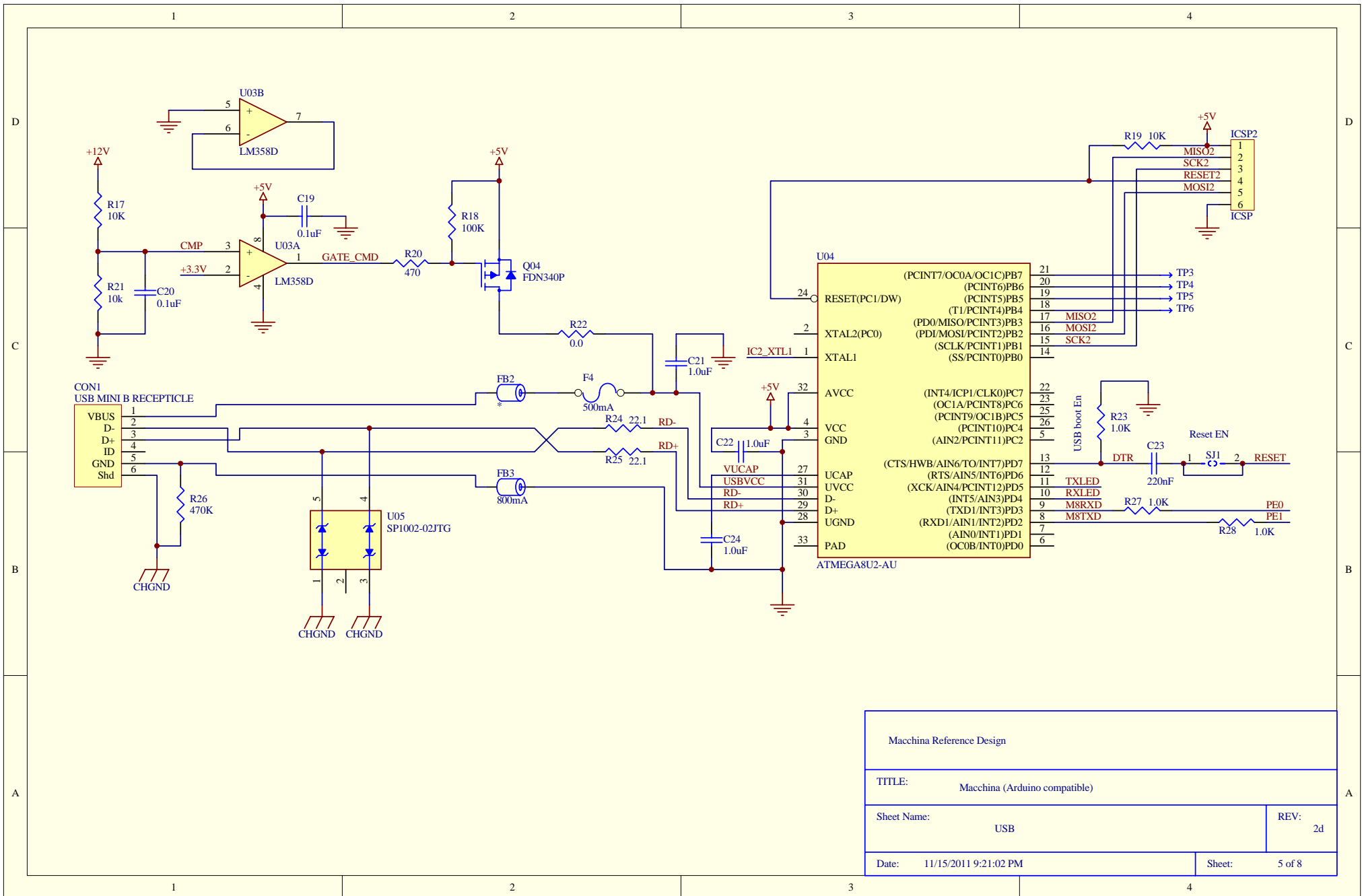




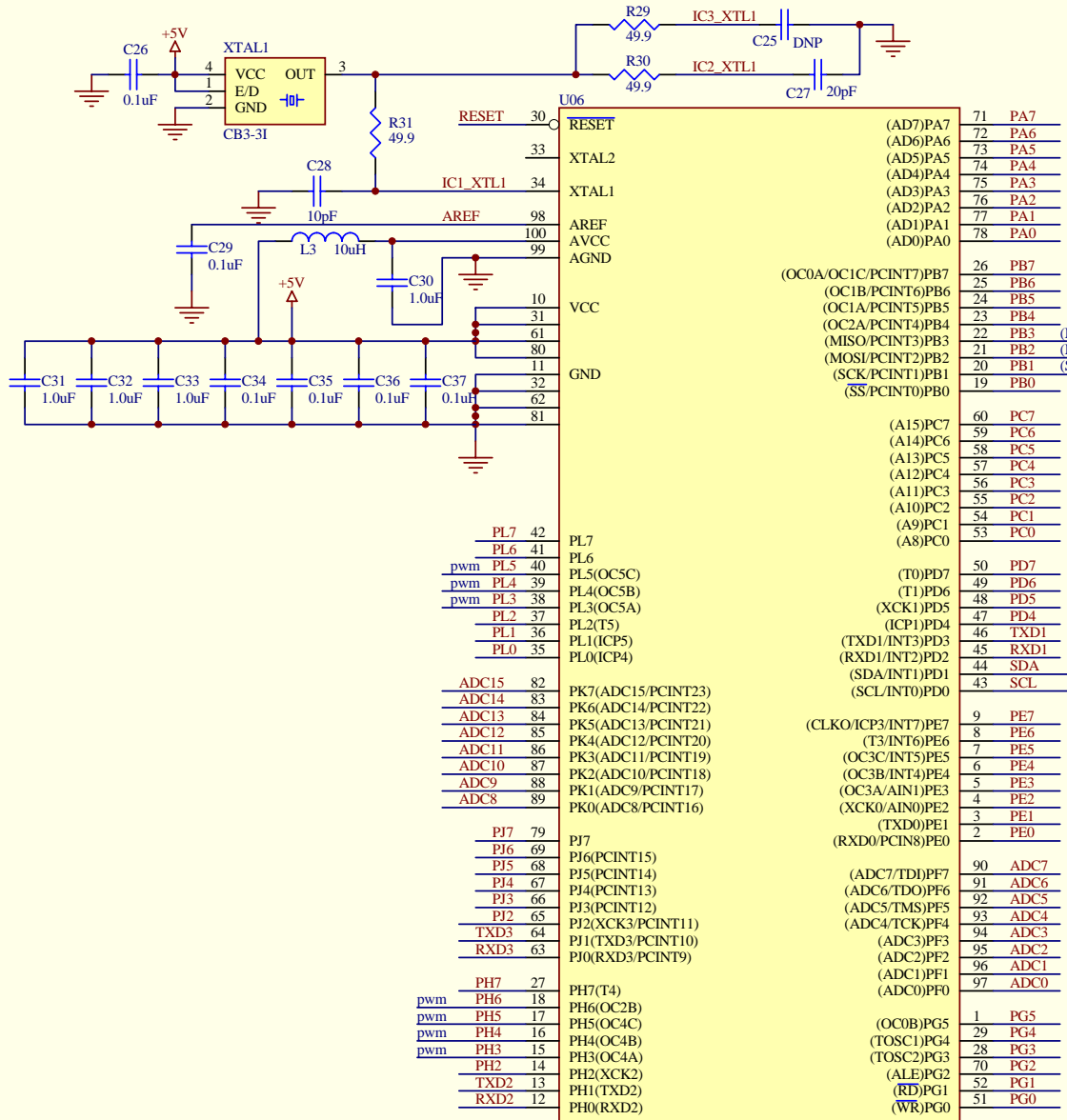
Macchina Reference Design	
TITLE: Macchina (Arduino compatible)	
Sheet Name: Power	REV: 2d
Date: 11/15/2011 9:21:02 PM	Sheet: 3 of 8



Macchina Reference Design	
TITLE: Macchina (Arduino compatible)	
Sheet Name: Surge Protection	REV: 2d
Date: 11/15/2011 9:21:02 PM	Sheet: 4 of 8



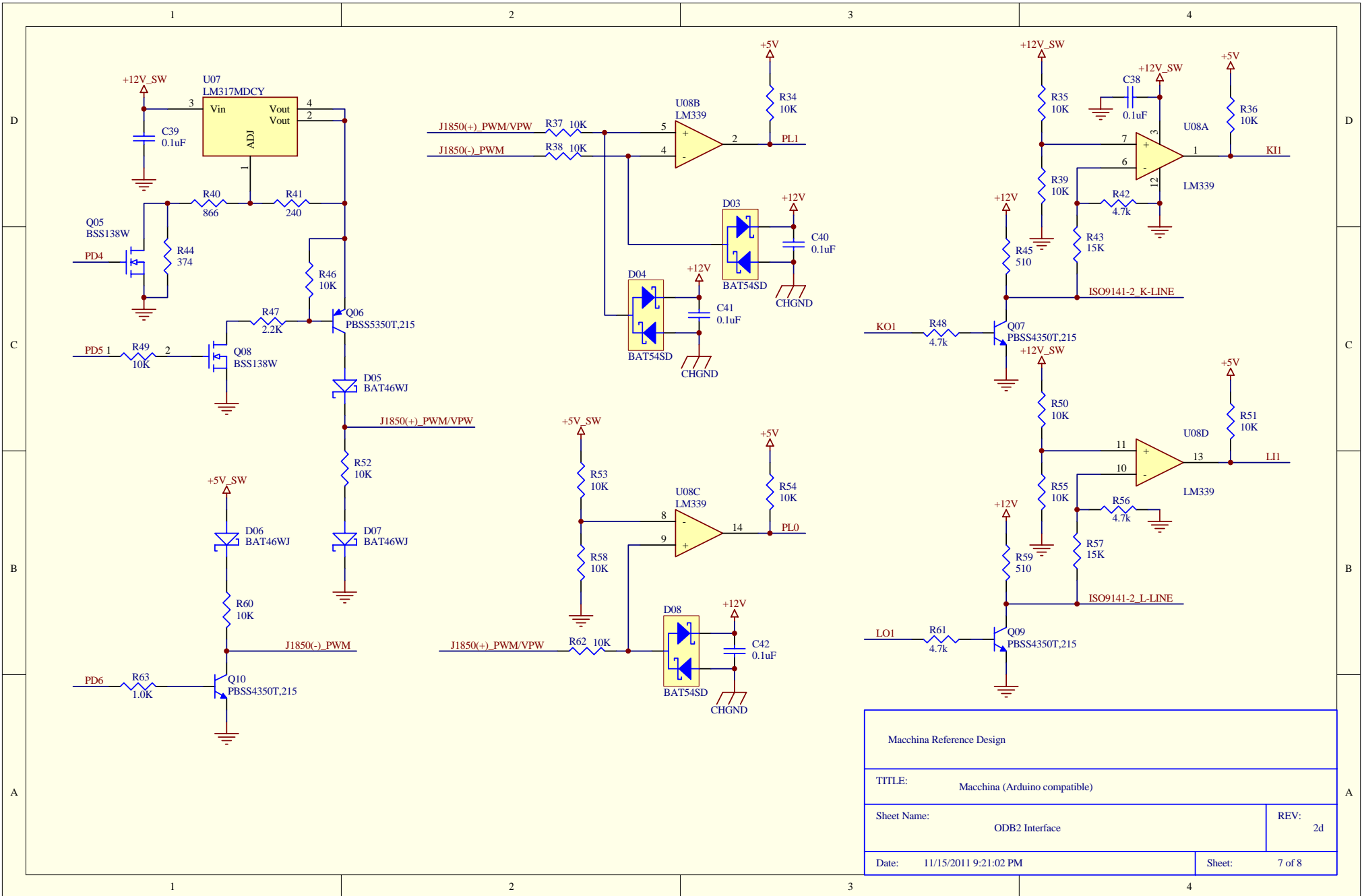
Macchina Reference Design	
TITLE:	Macchina (Arduino compatible)
Sheet Name:	USB
Date:	11/15/2011 9:21:02 PM
REV:	2d
Sheet:	5 of 8



71	PA7
72	PA6
73	PA5
74	PA4
75	PA3
76	PA2
77	PA1
78	PA0
26	PB7
25	PB6
24	PB5
23	PB4
22	PB3 (MISO)
21	PB2 (MOSI)
20	PB1 (SCK)
19	PB0
60	PC7
59	PC6
58	PC5
57	PC4
56	PC3
55	PC2
54	PC1
53	PC0
50	PD7
49	PD6
48	PD5
47	PD4
46	TXD1
45	RXD1
44	SDA
43	SCL
9	PE7
8	PE6
7	PE5
6	PE4
5	PE3
4	PE2
3	PE1
2	PE0
90	ADC7
91	ADC6
92	ADC5
93	ADC4
94	ADC3
95	ADC2
96	ADC1
97	ADC0
1	PG5
29	PG4
28	PG3
70	PG2
52	PG1
51	PG0

Macchina Reference Design	
TITLE: Macchina (Arduino compatible)	
Sheet Name: Microcontroller	REV: 2d
Date: 11/15/2011 9:21:02 PM	Sheet: 6 of 8

ATMEL-2005_ATMEGA2560-16AU



Macchina Reference Design	
TITLE: Macchina (Arduino compatible)	
Sheet Name: ODB2 Interface	REV: 2d
Date: 11/15/2011 9:21:02 PM	Sheet: 7 of 8

